

## Hazard Warnings

Hazard warnings in this manual indicate potential harm to the user or the product. For the person interacting with the product, the level of risk includes consequences ranging from slight, up to lethal injuries. As for the product, disobeying the warnings may cause damage to the equipment and/or void the warranty. Therefore, said warnings are made apparent to instruct and warn the user, which precautions have to be made prior to performing any actions described in this manual. The user must read and be familiar with the manual, before performing any tasks as described in this manual.

Hazard warnings in this manual are presented in these three forms:

**WARNING:** These warning notices refer to personal safety. Failure to obey these notices could result in personal injury or death.



# WARNING

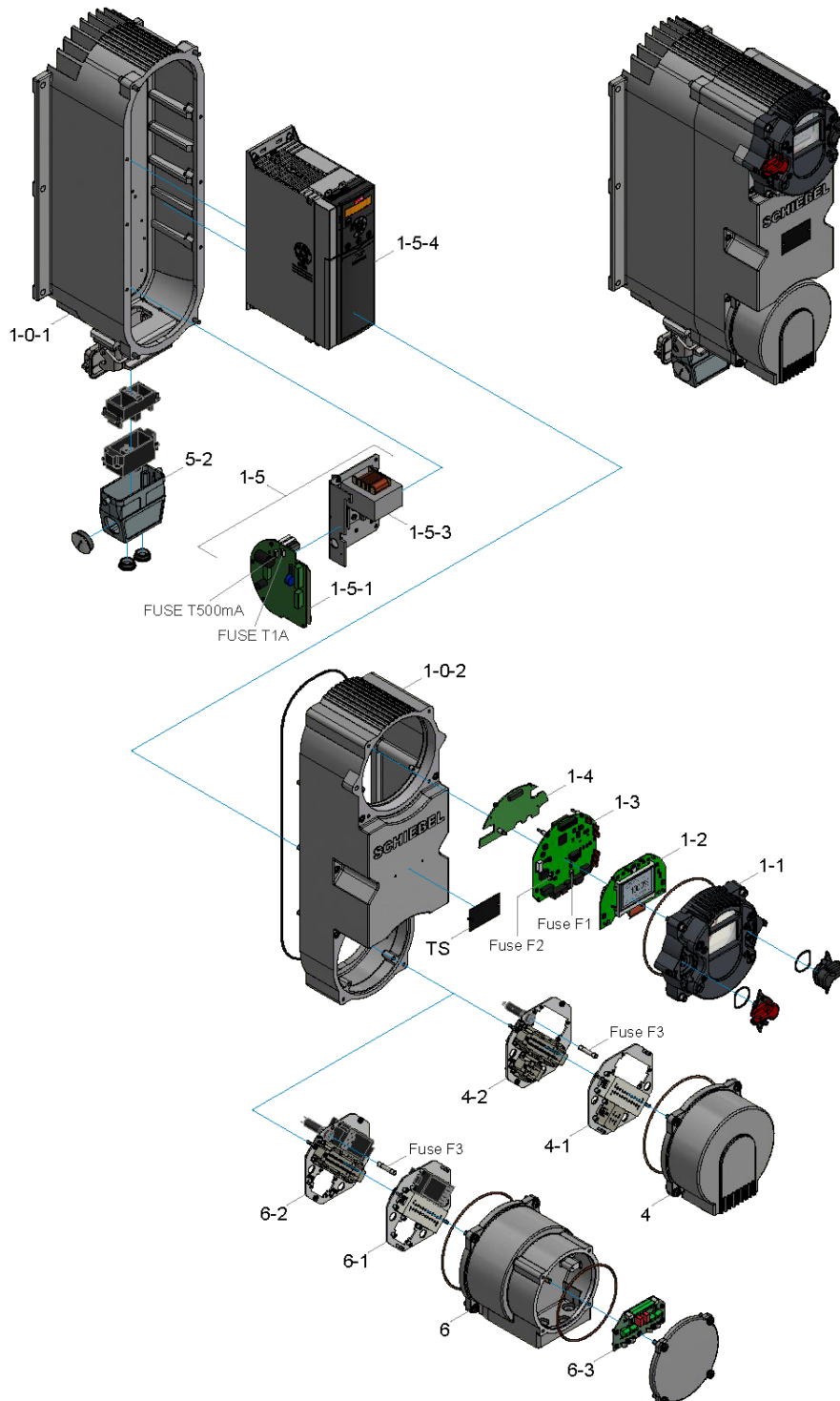
**CAUTION:** General precautions must be made. Failure to obey these notices could result in personal injury and/or equipment damage.



# CAUTION

**NOTE:** Directs the user's attention to essential information.

## CSC.V1.2 explosion drawing and spare parts list



**CAUTION:** When ordering spare parts, you **must** provide the **serial number** (see type shield).  
Use only original spare parts supplied by SCHIEBEL. Using other parts will render the warranty void.  
Illustrations may differ from actual spare parts.



**CAUTION**

No.	Description
1-0-1	Enclosure - Bottom
1-0-2	Enclosure - Top
1-5-4	Frequency Inverter
1-1	Control unit cover
1-2	Display board
1-3	Logic board
Fuse-F1	Logic Board - Micro fuse 1A
Fuse-F2	Logic Board - Micro fuse 4A
1-4	Expansion board (bus, relay)
1-5	Supply unit assembly
1-5-1	Base A board
Fuse T500mA	Micro fuse 500mA T
Fuse T1A	Micro fuse 1A T
1-5-3	Transformer 230-500V
Fuse-F3	Control Fuse (F2 acc. schematic) - Fuse 125mA T
4	Plug cover
4-1	Connector's panel customer side (socket)
4-2	Connector's panel actuator side (pins) 400V
5-2	Plug for connecting cable to control unit
6	Entire bus plug cover with connectors and circuit board
6-1	Bus connector's panel customer side (socket)
6-2	Bus connector's panel actuator side (pins) 400V
6-3	Bus connection board
TS	Type plate